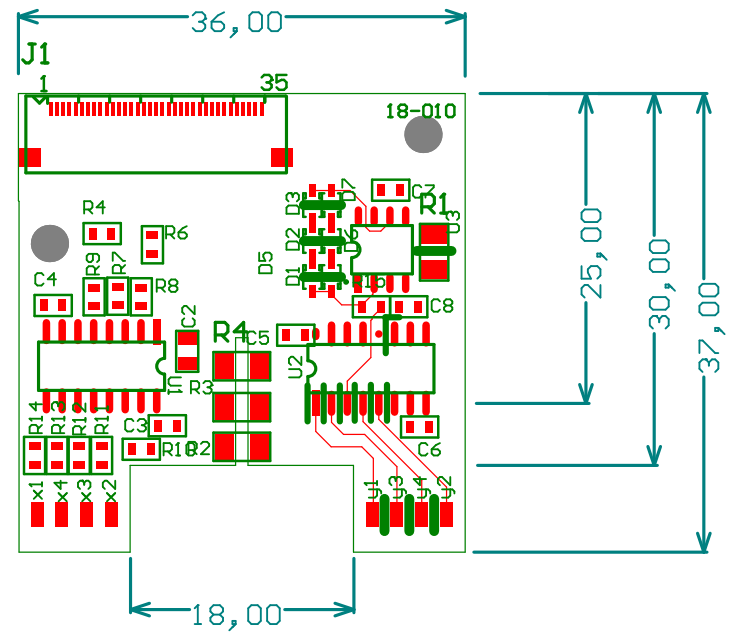


10 R - 100 G
 important > 10K
 10 KHz BW
 Log = ok
 Bias 100 mV/ 1 V
 100k series

 100G, 1 v bias 0,1 mv out

| | | |
|---|-------------------------|----------|
| Title Log Amp break junction | | |
| Size A4 | Number 18-010 | Revision |
| Date: 16-4-2019 | Sheet _____ of _____ | |
| File: M:\ud\...18-010 Log Amp break junction.SchDoc By: _____ | | |



Board Stack Report